

PHY RTD (Pt100/Pt1000) Sensor with Hygienic Process Connection (+260°C)

Ideal for hygienic processes including dairy, brewery and pharmaceutical applications. The sensors can be supplied with a 3.0mm, 4.5mm, 6.0mm, 8.0mm or 10.0mm diameter 316 stainless steel probe.

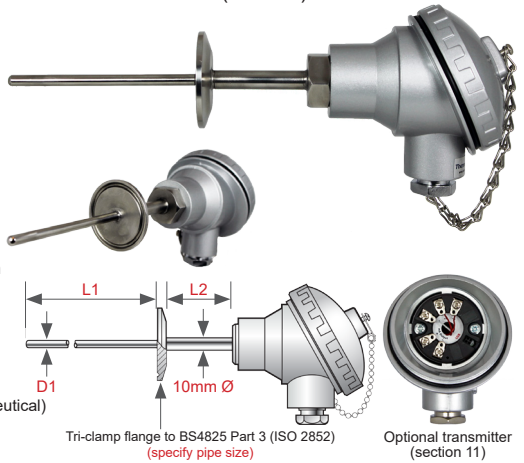
Terminal heads are available in IP67 or IP68 rated Die Cast Alloy, Heavy Duty Stainless Steel, Glass Filled Nylon or Polypropylene, with a 20mm x 1.5mm (M20) cable entry. Inside the head is a ceramic terminal block which makes the connections to the extension cables very easy.

Available as Simplex or Duplex in 2, 3 or 4-wire configurations. A 4~20mA transmitter can be mounted in the terminal head if required.

Suitable for use between -75°C and +260°C.

A calibration certificate can be provided if required.

- Pt100 or Pt1000 as standard (other elements available)
- 3.0, 4.5, 6.0, 8.0 or 10.0mm Ø 316 stainless steel probe
- Ideal for hygienic processes (e.g. dairy, brewery, pharmaceutical)
- 2, 3 or 4-wire configuration
- Suitable for use between -75°C and +260°C



1		sensor type				code		
		RTD (Pt100) Sensor with Hygienic Process Connection				PHY		
		RTD (Pt1000) Sensor with Hygienic Process Connection				PHYK		
2		probe diameter (316 stainless steel) (D1)				code		
		3.0mm				3.0		
		4.5mm				4.5		
		6.0mm				6.0		
		8.0mm				8.0		
		10.0mm				10.0		
3		detector elements - simplex / duplex		code				
		Simplex (1 channel)		S				
		Duplex (2 channels)		D				
4		probe length (mm) (L1)			code			
		As required to suit your application			e.g. 250			
5		wiring configuration	code					
		2-wire	2					
		3-wire	3					
		4-wire (Simplex only)	4					
6		grade of element	accuracy at 0°C	accuracy at 100°C	code			
		B	± 0.30°C	± 0.80°C	B			
		A	± 0.15°C	± 0.35°C	A			
		1/3 (Pt100 only)	± 0.08°C	± 0.19°C	1/3			
		1/5 (Pt100 only)	± 0.05°C	± 0.15°C	1/5			
		1/10 (Pt100 only)	± 0.03°C	± 0.12°C	1/10			
7		connection type				code		
		Tri-clamp (backnut not required)				T		
		RJT (supplied complete with backnut)				R		
		IDF (supplied complete with backnut)				I		
8		pipe size	½" and ¾"	1" and 1 ½"	2"	2 ½"	3"	4"
		code	A	B	C	D	E	F
9		extension length (mm) (L2)						code
		As required to suit your application						e.g. 100
10		terminal head					code	
		Standard Die Cast Alloy					KNE1/2BM20	
		Heavy Duty 304 Stainless Steel					KSS1/2BM20	
		Standard Plastic (Glass Filled Nylon +200°C)					KNN1/2BM20	
		Standard Plastic (Polypropylene +165°C)					KPP1/2BM20	
11		optional head mounting 4~20mA transmitter (replaces ceramic terminal block)					code	
		Linearised, Head Mounting 4~20mA Transmitter, 24VDC Power Supply, Non-isolated (pre-ranged to suit your requirements)					TXHU (range) Example: TXHU (0/200°C)	

See page 62 for our full range of terminal heads and fittings.

See page 83 for a full specification of the TXHU transmitter. Isolated version also available.

ATEX versions also available

Thermocouple version page 18

order code (example) 1 2 3 4 5 6 7 8 9 10 11
 PHY - 6.0 - S - 150 - 3 - A - T - A - 100 - KSS1/2BM20 - TXHU (0/200°C)